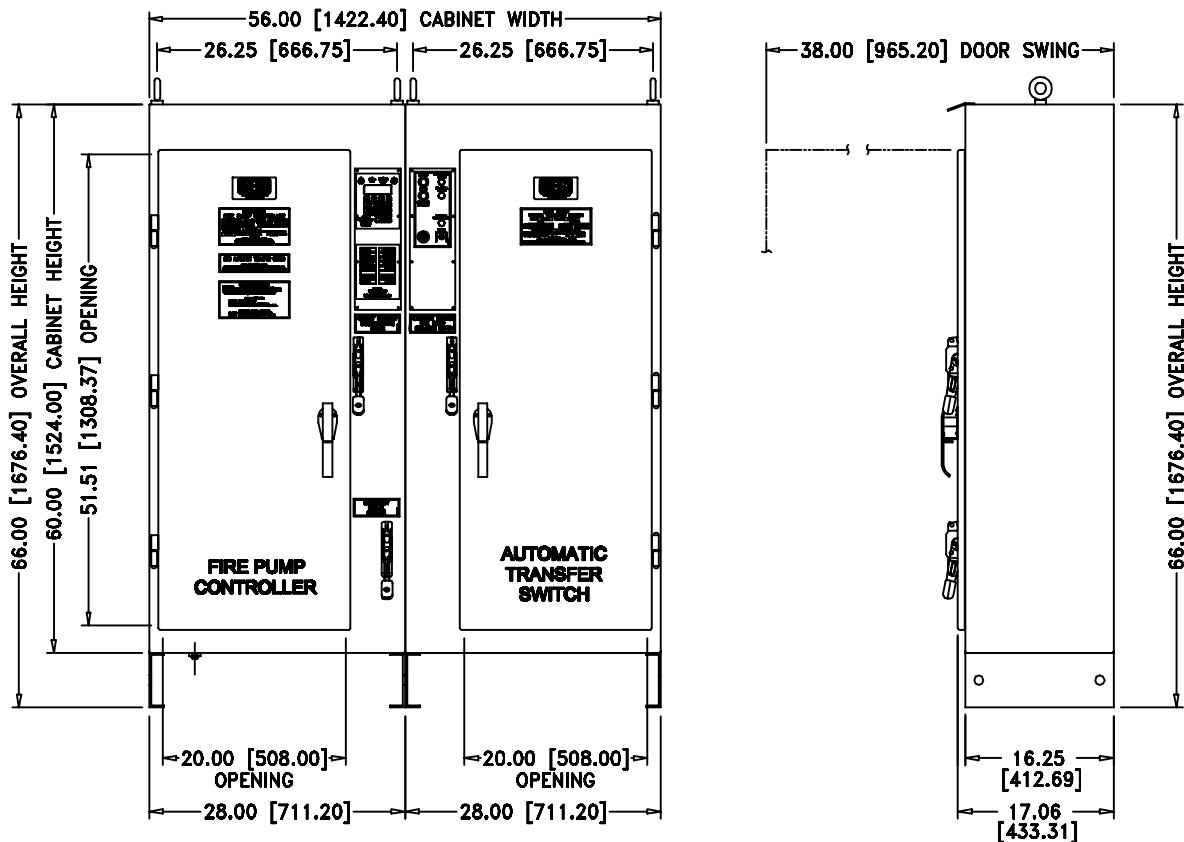
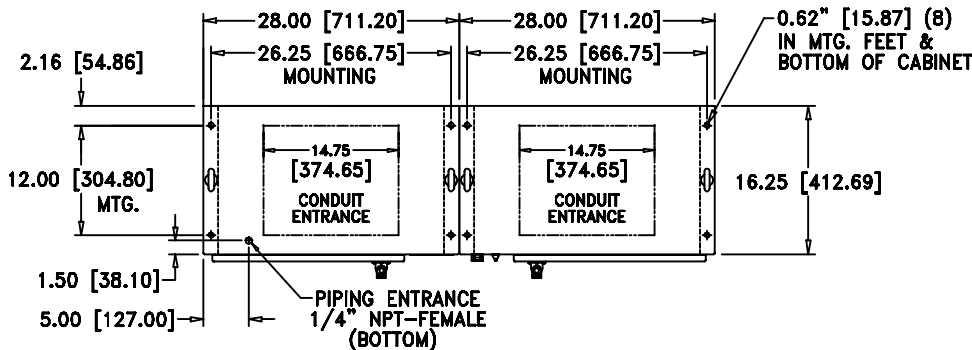


Dimensions and Data
**Combination Fire Pump Controller
 And LX-450 Automatic Transfer Switch
 Solid State Soft Start/Stop**

LXi-2100

DIMENSIONS SUBJECT TO CHANGE WITHOUT NOTICE. ALWAYS CONSULT FACTORY TO CONFIRM CURRENT INFORMATION.



RATINGS	HP	VOLTS	WITHSTAND	ENCLOSURE TYPE
ORDER INFORMATION	15-50	200-208V.	100,000 A (STD)	NEMA 2 (STD.)
	15-60	220-240V.	150,000 A	NEMA 3R
	15-100	380-415V.		NEMA 12
	15-125	440-480V.	200,000 A	NEMA 4 (NOT SHOWN *) NEMA 4X (NOT SHOWN *)
SELECT	HP	VOLTS	WITHSTAND	ENCLOSURE TYPE
	<input type="text"/>	<input type="text"/>	<input type="text"/>	<input type="text"/>

- NOTES:**
- ENCLOSURE MADE FROM 11 GA. STEEL
 - FINISH: RED EPOXY-POLYESTER
 - NO KNOCKOUTS
 - BOTTOM or TOP CONDUIT ENTRY
 - PROTECT INTERNAL EQUIPMENT FROM DRILLING CHIPS
 - FLOOR MOUNTING
 - "T" INDICATES METRIC (mm) DIMENSIONS
 - *-SAME OUTSIDE DIMENSIONS



HUBBELL / INDUSTRIAL CONTROLS, INC.
 4301 Cheyenne Drive, Archdale, N.C. 27263

DATE:	REV.
07/25/2002	-
DRAWING NUMBER:	
21CE0011	